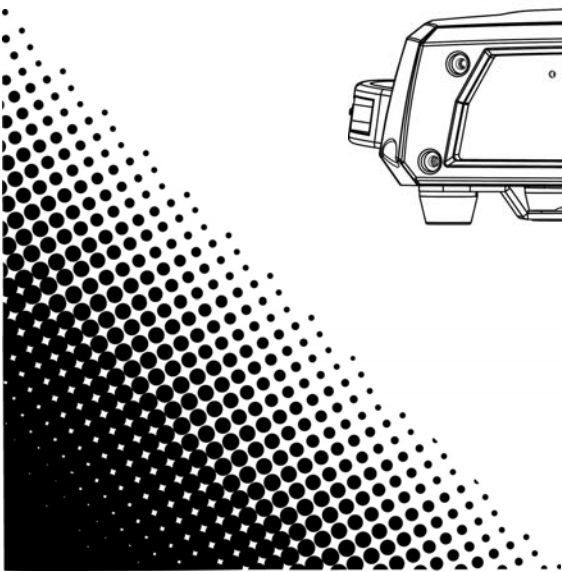
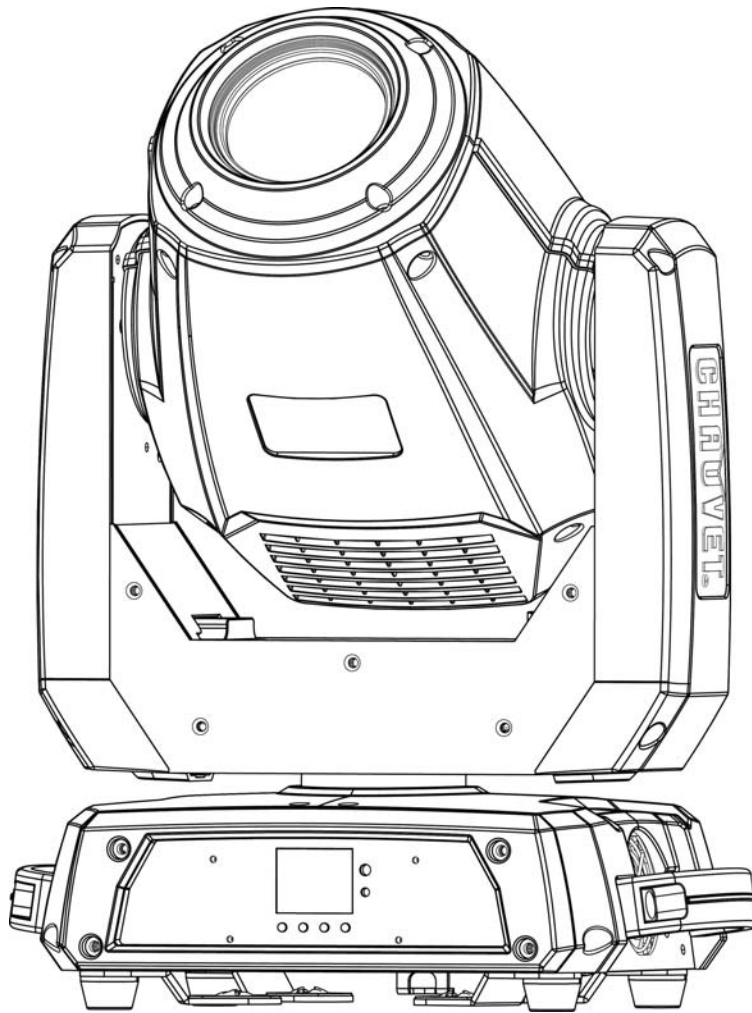


# INTIMIDATOR

---

## SPOT 375Z IRC

### User Manual



## TABLE OF CONTENTS

<b>1. Before You Begin .....</b>	<b>1</b>
What Is Included .....	1
Unpacking Instructions.....	1
Claims .....	1
Text Conventions .....	1
Symbols .....	1
Disclaimer .....	1
Product at a Glance .....	2
Safety Notes.....	2
<b>2. Introduction .....</b>	<b>3</b>
Product Overview.....	3
Product Dimensions .....	3
<b>3. Setup .....</b>	<b>4</b>
AC Power .....	4
Fuse Replacement .....	4
Power Linking.....	4
Mounting .....	5
Orientation.....	5
Rigging .....	5
<b>4. Operation .....</b>	<b>6</b>
Control Panel Operation.....	6
Menu Map .....	6
Configuration (DMX) .....	7
Starting Address.....	7
DMX Personalities.....	7
Gobos.....	7
DMX Channel Assignments and Values .....	8
15Ch.....	8
09Ch.....	10
Configuration (Standalone) .....	12
Automatic Programs.....	12
Sound-Active Mode .....	12
Sound Sensitivity.....	12
Manual Mode.....	12
Configuration (Settings) .....	13
Pan Reverse.....	13
Tilt Reverse .....	13
Screen Reverse.....	13
Pan Angle.....	13
Tilt Angle .....	13
Totem Mode .....	14
Reset.....	14
Factory Reset.....	14
System Information .....	14
IRC-6 Infrared Remote Control .....	15
IRC-6 Operation .....	15
Master/Slave Mode .....	16
Zero Adjust Mode.....	16
Changing Gobos .....	17
<b>5. Maintenance.....</b>	<b>18</b>
Product Maintenance .....	18
<b>6. Technical Specifications .....</b>	<b>19</b>
<b>Returns.....</b>	<b>20</b>
<b>Contact Us .....</b>	<b>21</b>

# 1. Before You Begin

## What Is Included

- Intimidator Spot 375Z IRC
- Power Cord
- Hanging Bracket with Mounting Hardware
- Warranty Card
- Quick Reference Guide

## Unpacking Instructions

Carefully unpack the product immediately and check the container to make sure all the parts are in the package and are in good condition.

## Claims





If the box or the contents (the product and included accessories) appear damaged from shipping, or show signs of mishandling, notify the carrier immediately, not Chauvet. Failure to report damage to the carrier immediately may invalidate your claim. In addition, keep the box and contents for inspection.

For other issues, such as missing components or parts, damage not related to shipping, or concealed damage, file a claim with Chauvet within 7 days of delivery.

## Text Conventions

Convention	Meaning
1–512	A range of values
50/60	A set of values of which only one can be chosen
Settings	A menu option not to be modified
<ENTER>	A key to be pressed on the product's control panel
ON	A value to be entered or selected

## Symbols

Symbol	Meaning
	Electrical warning. Not following these instructions may cause electrical damage to the product, accessories, or the user.
	Critical installation, configuration, or operation information. Not following these instructions may make the product not work, cause damage to the product, or cause harm to the operator.
	Important installation or configuration information. The product may not function correctly if this information is not used.
	Useful information.

## Disclaimer

Chauvet believes that the information contained in this manual is accurate in all respects. However, Chauvet assumes no responsibility and specifically disclaims any and all liability to any party for any loss, damage or disruption caused by any errors or omissions in this document, whether such errors or omissions result from negligence, accident or any other cause. Chauvet reserves the right to revise the content of this document without any obligation to notify any person or company of such revision, however, Chauvet has no obligation to make, and does not commit to make, any such revisions. Download the latest version from [www.chauvetdj.com](http://www.chauvetdj.com).










The works of authorship contained in this manual, including, but not limited to, all design, text and images are owned by Chauvet.

© Copyright 2018 Chauvet & Sons, LLC. All rights reserved.

Electronically published by Chauvet in the United States of America.

CHAUVET, the Chauvet logo, and Intimidator Spot 375Z IRC are registered trademarks or trademarks of Chauvet & Sons LLC (d/b/a Chauvet and Chauvet Lighting) in the United States and other countries. Other company and product names and logos referred to herein may be trademarks of their respective companies.

### Product at a Glance

Use on Dimmer		Auto Programs	
Outdoor Use		Auto-ranging Power Supply	
Sound-Active		Replaceable Fuse	
DMX		User-Serviceable	
Master/Slave			

### Safety Notes



- Always connect the product to a grounded circuit to avoid the risk of electrocution.
- Always disconnect the product from the power source before cleaning or replacing the fuse.
- Avoid direct eye exposure to the light source while the product is on.
- Make sure the power cord is not crimped or damaged.
- Never disconnect the product from power cord by pulling or tugging on the cord.
- If mounting the product overhead, always secure to a fastening device using a safety cable.
- Make sure there are no flammable materials close to the product when operating.
- Do not touch the product's housing when operating because it may be very hot.



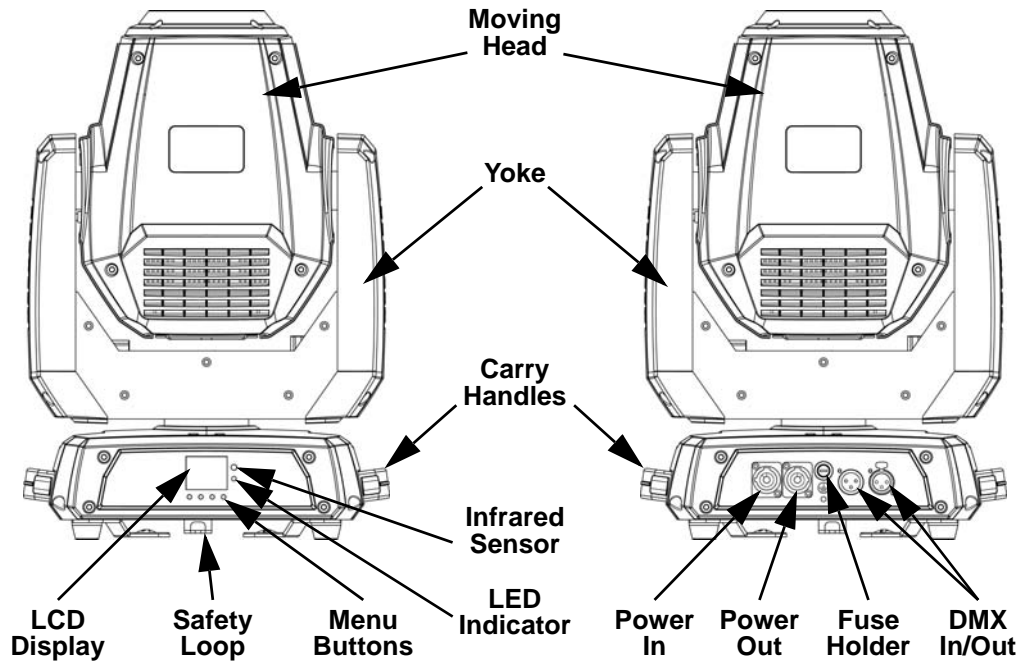
- Always make sure that the voltage of the outlet to which you are connecting the product is within the range stated on the decal or rear panel of the product.
- The product is for indoor use only! (IP20) To prevent risk of fire or shock, do not expose the product to rain or moisture.
- Always install the product in a location with adequate ventilation, at least 20 in (50 cm) from adjacent surfaces.
- Be sure that no ventilation slots on the product's housing are blocked.
- Never connect the product to a dimmer.
- Make sure to replace the fuse with another of the same type and rating.
- Never carry the product from the power cord or any moving part. Always use the hanging/mounting bracket.
- The maximum ambient temperature (Ta) is 104 °F (40 °C). Do not operate the product at higher temperatures.
- In the event of a serious operating problem, stop using the product immediately.
- Never try to repair the product. Repairs carried out by unskilled people can lead to damage or malfunction. Please contact the nearest authorized technical assistance center.
- To eliminate unnecessary wear and improve its lifespan, during periods of non-use completely disconnect the product from power via breaker or by unplugging it.



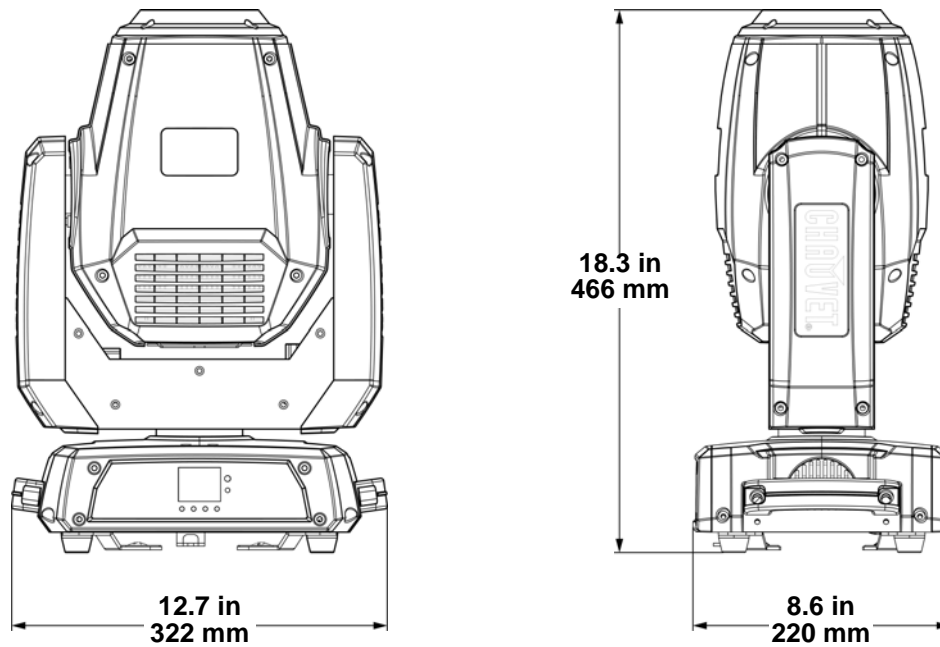
Keep this User Manual for future use. If you sell the product to someone else, be sure that they also receive this document.

## 2. Introduction

### Product Overview



### Product Dimensions



### 3. Setup

#### AC Power

The Intimidator Spot 375Z IRC has an auto-ranging power supply and it can work with an input voltage range of 100 to 240 VAC, 50/60 Hz. To determine the product's power requirements (circuit breaker, power outlet, and wiring), use the current value listed on the label affixed to the product's back panel, or refer to the product's specifications chart. The listed current rating indicates the product's average current draw under normal conditions.



- **Always connect the product to a protected circuit (a circuit breaker or fuse). Make sure the product has an appropriate electrical ground to avoid the risk of electrocution or fire.**
- **To eliminate unnecessary wear and improve its lifespan, during periods of non-use completely disconnect the product from power via breaker or by unplugging it.**



**Never connect the product to a rheostat (variable resistor) or dimmer circuit, even if the rheostat or dimmer channel serves only as a 0 to 100% switch.**

#### Fuse Replacement

1. Disconnect the product from power.
2. Using a flat-head screwdriver, unscrew the fuse holder cap from the housing.
3. Remove the blown fuse.
4. Replace with a fuse of the same type and rating.
5. Screw the fuse holder cap back in place and reconnect power.

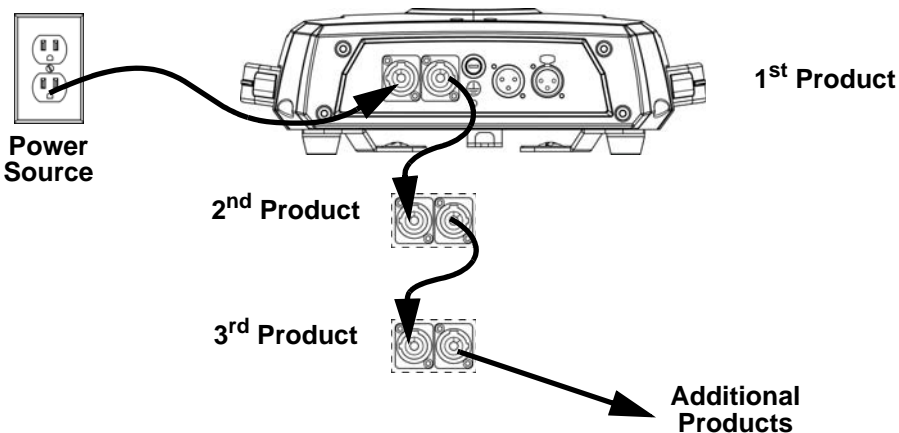


**Disconnect the product from the power outlet before replacing the fuse.**

#### Power Linking

The product provides power linking via the Edison outlet located in the back of the product. Please see the diagram below for further explanation.

#### Power Linking Diagram



**You can power link up to 3 Intimidator Spot 375Z IRC products on 120 VAC or up to 5 Intimidator Spot 375Z IRC products on 230 VAC.**

## Mounting

Before mounting the product, read and follow the safety recommendations indicated in the [Safety Notes](#).

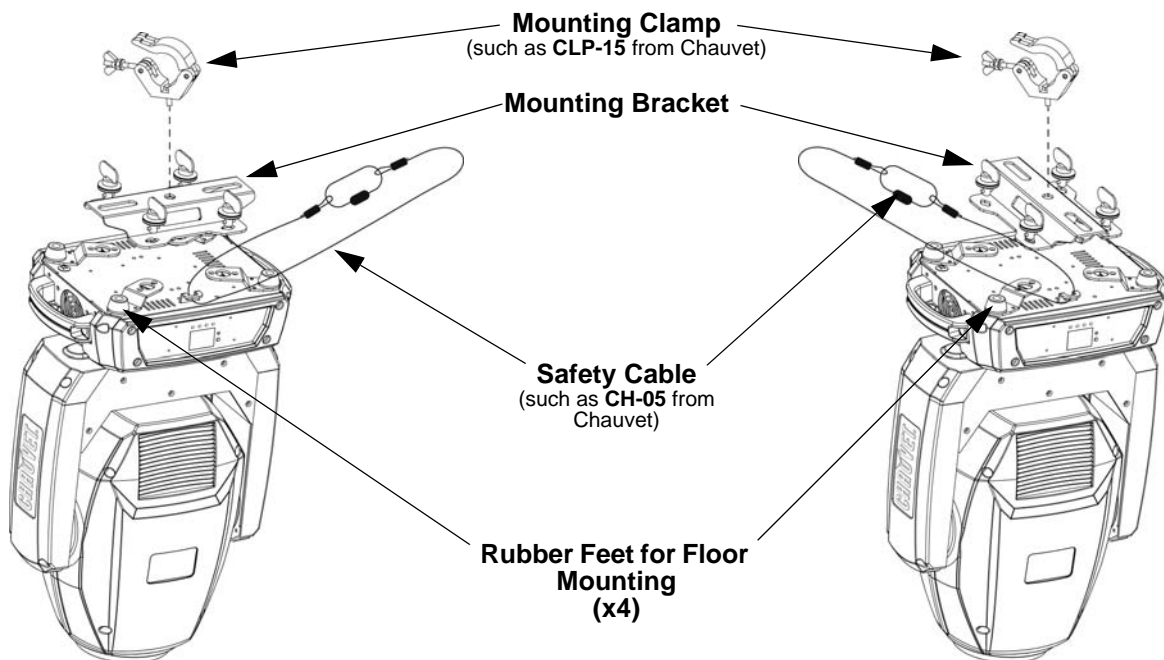
### Orientation

The Intimidator Spot 375Z IRC may be mounted in any position; however, make sure adequate ventilation is provided around the product.

### Rigging

- Before deciding on a location, always make sure there is easy access to the product for maintenance and programming purposes.
- Make sure adequate ventilation is provided around the product.
- Make sure that the structure or surface onto which you are mounting the product can support the product's weight. (see the [Technical Specifications](#))
- When mounting the product overhead, always use a safety cable. Mount the product securely to a rigging point, whether an elevated platform or a truss.
- When rigging the product onto a truss, use a mounting clamp of appropriate weight capacity.
- When power linking multiple products, mount the products close enough for power linking cables to reach.
- The bracket adjustment knobs allow for directional adjustment when aiming the product to the desired angle. Only loosen or tighten the bracket knobs manually. Using tools could damage the knobs.
- The rubber feet also serve as floor supports. When mounting the product on the floor, make sure that the product and cables are away from people and vehicles.

### Mounting Diagram



**When using only one mounting clamp with this fixture, you must use a clamp with a captive bolt to prevent accidental loosening.**

## 4. Operation

### Control Panel Operation

To access the control panel functions, use the four buttons located underneath the display. Please refer to the [Product Overview](#) to see the button locations on the control panel.

Button	Function
<MENU>	Press to find an operation mode or to back out of the current menu option
<UP>	Press to scroll up the list of options or to find a higher value
<DOWN>	Press to scroll down the list of options or to find a lower value
<ENTER>	Press to activate a menu option or a selected value

### Menu Map

Main Level	Programming Levels		Description	
Address	001–512		Sets the DMX starting address	
Run Mode	DMX	15CH	Selects DMX mode	
		09CH		
	Slave	Slave1–4		Selects Slave mode 1, 2, 3, or 4
		Auto		Selects Auto mode
	Sound		Selects Sound mode	
	IR		Selects infrared control	
	Manual	000–255	Pan	0–540°
			Tilt	0–270°
			Color	Selects color options
			Gobo	Selects gobo options
			Gobo Rotate	Rotates gobo
			Prism	Selects prism and rotation effect
			Focus	Manual focus control
			Zoom	Manual zoom control
Dimmer			Sets dimmer value	
Shutter	Sets shutter value and strobe effect			
Setup	Pan Reverse	OFF	Normal pan operation	
		ON	Reverse pan operation	
	Tilt Reverse	OFF	Normal tilt operation	
		ON	Reverse tilt operation	
	Screen Reverse	OFF	Normal display	
		ON	Reverse display	
	Pan Angle	540	Selects the 540° pan angle range	
		360	Selects the 360° pan angle range	
		180	Selects the 180° pan angle range	
	Tilt Angle	270	Selects the 270° tilt angle range	
		180	Selects the 180° tilt angle range	
		90	Selects the 90° tilt angle range	
	Totem Mode	OFF	Totem mode off	
UP		Selects upward pan and tilt range		
DOWN		Selects downward pan and tilt range		
Sensitivity	001–100	Sets sound sensitivity		
Reset		Resets the product		
Factory Set		Loads factory defaults		
Sys Info	Ver:	V_	Displays the software version	
	Running Mode	-----	Displays the current running mode	
	DMX Address	---	Displays the current DMX address	
	Temperature	---	Displays current temperature in °C	



## Operation

### Configuration (DMX)

The Intimidator Spot 375Z IRC works with a DMX controller. Information about DMX is in the CHAUVET DMX Primer, which is available from the Chauvet website [http://www.chauvetlighting.com/downloads/DMX\\_Primer\\_rev05\\_WO.pdf](http://www.chauvetlighting.com/downloads/DMX_Primer_rev05_WO.pdf).

#### Starting Address

When selecting a starting DMX address, always consider the number of DMX channels the selected DMX mode uses. If you choose a starting address that is too high, you could restrict the access to some of the product's channels.

The Intimidator Spot 375Z IRC uses up to 15 DMX channels, which defines the highest configurable address to **498**.

If you are not familiar with the DMX protocol, download the DMX Primer from [www.chauvetdj.com](http://www.chauvetdj.com).

To select the starting address, do the following:

1. Press **<MENU>**.
2. Use **<UP>** or **<DOWN>** to select **Address**.
3. Press **<ENTER>**.
4. Use **<UP>** or **<DOWN>** to select the starting address, from **001–512**.
5. Press **<ENTER>**.

#### DMX Personalities

The Intimidator Spot 375Z IRC has two DMX personalities, a 15-channel personality, and a 9-channel personality.

To choose which DMX personality to use, follow the steps below:

1. Press **<MENU>**.
2. Use **<UP>** or **<DOWN>** to select **Run Mode**.
3. Press **<ENTER>**.
4. Use **<UP>** or **<DOWN>** to select **DMX**.
5. Press **<ENTER>**.
6. Use **<UP>** or **<DOWN>** to select the DMX personality, from **15CH** or **09CH**.
7. Press **<ENTER>**.

#### Gobos



## DMX Channel Assignments and Values

### 15Ch

Channel	Function	Value	Percent/Setting
1	Pan	000 ⇔ 255	0–540°
2	Pan Fine	000 ⇔ 255	Fine control of panning
3	Tilt	000 ⇔ 255	0–270°
4	Tilt Fine	000 ⇔ 255	Fine control of tilting
5	Pan/Tilt Speed	000 ⇔ 255	Pan/Tilt speed, fast to slow
6	Color Wheel	000 ⇔ 007	White
		008 ⇔ 015	Orange
		016 ⇔ 023	Lime green
		024 ⇔ 031	Cyan
		032 ⇔ 039	Red
		040 ⇔ 047	Green
		048 ⇔ 055	Magenta
		056 ⇔ 063	Yellow
		064	White
		065 ⇔ 189	Color indexing
		190 ⇔ 221	Color cycling rainbow, fast to slow
		222 ⇔ 223	Stop
224 ⇔ 255	Reverse color cycling rainbow, slow to fast		
7	Gobo Wheel (see <a href="#">Gobos</a> )	000 ⇔ 007	Open
		008 ⇔ 015	Gobo 1
		016 ⇔ 023	Gobo 2
		024 ⇔ 031	Gobo 3
		032 ⇔ 039	Gobo 4
		040 ⇔ 047	Gobo 5
		048 ⇔ 055	Gobo 6
		056 ⇔ 063	Gobo 7
		064 ⇔ 071	Gobo 7 shake, slow to fast
		072 ⇔ 079	Gobo 6 shake, slow to fast
		080 ⇔ 087	Gobo 5 shake, slow to fast
		088 ⇔ 095	Gobo 4 shake, slow to fast
		096 ⇔ 103	Gobo 3 shake, slow to fast
		104 ⇔ 111	Gobo 2 shake, slow to fast
		112 ⇔ 119	Gobo 1 shake, slow to fast
		120 ⇔ 127	Open
		128 ⇔ 189	Cycle effect, slow to fast
190 ⇔ 193	Stop		
194 ⇔ 255	Reverse cycle effect, slow to fast		
8	Gobo Rotation	000	No function
		001 ⇔ 063	Gobo indexing
		064 ⇔ 145	Rotation, slow to fast
		146 ⇔ 149	Stop
		150 ⇔ 231	Reverse rotation, slow to fast
		232 ⇔ 255	Bounce, slow to fast

Channel	Function	Value	Percent/Setting
9	Prism	000 ⇄ 003	No function
		004 ⇄ 006	6-facet prism
		007 ⇄ 065	6-facet prism rotation, slow to fast
		066 ⇄ 123	6-facet prism reverse rotation, slow to fast
		124 ⇄ 127	6-facet prism
		128 ⇄ 131	No function
		132 ⇄ 134	5-facet prism
		135 ⇄ 193	5-facet prism rotation, slow to fast
		194 ⇄ 251	5-facet prism reverse rotation, slow to fast
		252 ⇄ 255	5-facet prism
10	Focus	000 ⇄ 255	Focus, 0–100%
11	Dimmer	000 ⇄ 255	0–100%
12	Shutter	000 ⇄ 003	Closed
		004 ⇄ 007	Open
		008 ⇄ 076	Strobe, slow to fast
		077 ⇄ 145	Pulse strobe, slow to fast
		146 ⇄ 215	Random strobe, slow to fast
		216 ⇄ 255	Open
13	Function	000 ⇄ 007	No function
		008 ⇄ 015	Blackout on pan/tilt movement
		016 ⇄ 023	Blackout on color wheel movement
		024 ⇄ 031	Blackout on gobo wheel movement
		032 ⇄ 039	Blackout on pan/tilt/color wheel movement
		040 ⇄ 047	Blackout on pan/tilt/gobo wheel movement
		048 ⇄ 055	Blackout on pan/tilt/color/gobo wheel movement
		056 ⇄ 095	No function
		096 ⇄ 103	Pan reset
		104 ⇄ 111	Tilt reset
		112 ⇄ 119	Color wheel reset
		120 ⇄ 127	Gobo wheel reset
		128 ⇄ 135	No function
		136 ⇄ 143	Prism reset
		144 ⇄ 151	Focus and zoom reset
152 ⇄ 159	All reset		
160 ⇄ 255	No function		

Channel	Function	Value	Percent/Setting
14	Movement Macros	000 ⇄ 007	No function
		008 ⇄ 023	Movement macro 1
		024 ⇄ 039	Movement macro 2
		040 ⇄ 055	Movement macro 3
		056 ⇄ 071	Movement macro 4
		072 ⇄ 087	Movement macro 5
		088 ⇄ 103	Movement macro 6
		104 ⇄ 119	Movement macro 7
		120 ⇄ 135	Movement macro 8
		136 ⇄ 151	Sound-active movement macro 1
		152 ⇄ 167	Sound-active movement macro 2
		168 ⇄ 183	Sound-active movement macro 3
		184 ⇄ 199	Sound-active movement macro 4
		200 ⇄ 215	Sound-active movement macro 5
		216 ⇄ 231	Sound-active movement macro 6
		232 ⇄ 247	Sound-active movement macro 7
248 ⇄ 255	Sound-active movement macro 8		
15	Zoom	000 ⇄ 255	Narrow to wide

**09Ch**

Channel	Function	Value	Percent/Setting
1	Pan	000 ⇄ 255	0–540°
2	Tilt	000 ⇄ 255	0–270°
3	Color Wheel	000 ⇄ 007	White
		008 ⇄ 015	Orange
		016 ⇄ 023	Lime green
		024 ⇄ 031	Cyan
		032 ⇄ 039	Red
		040 ⇄ 047	Green
		048 ⇄ 055	Magenta
		056 ⇄ 063	Yellow
		064	White
		065 ⇄ 189	Color indexing
		190 ⇄ 221	Color cycling rainbow, slow to fast
		222 ⇄ 223	Stop
		224 ⇄ 255	Reverse color cycling rainbow, slow to fast

Channel	Function	Value	Percent/Setting
4	Gobo Wheel (see <a href="#">Gobos</a> )	000 ⇔ 007	Open
		008 ⇔ 015	Gobo 1
		016 ⇔ 023	Gobo 2
		024 ⇔ 031	Gobo 3
		032 ⇔ 039	Gobo 4
		040 ⇔ 047	Gobo 5
		048 ⇔ 055	Gobo 6
		056 ⇔ 063	Gobo 7
		064 ⇔ 071	Gobo 7 shake, slow to fast
		072 ⇔ 079	Gobo 6 shake, slow to fast
		080 ⇔ 087	Gobo 5 shake, slow to fast
		088 ⇔ 095	Gobo 4 shake, slow to fast
		096 ⇔ 103	Gobo 3 shake, slow to fast
		104 ⇔ 111	Gobo 2 shake, slow to fast
		112 ⇔ 119	Gobo 1 shake, slow to fast
		120 ⇔ 127	Open
		128 ⇔ 189	Cycle effect, slow to fast
190 ⇔ 193	Stop		
194 ⇔ 255	Reverse cycle effect, slow to fast		
5	Gobo Rotation	000	No function
		001 ⇔ 063	Gobo indexing
		064 ⇔ 145	Rotation, slow to fast
		146 ⇔ 149	Stop
		150 ⇔ 231	Reverse rotation, slow to fast
		232 ⇔ 255	Bounce, slow to fast
6	Prism	000 ⇔ 003	No function
		004 ⇔ 006	6-facet prism
		007 ⇔ 065	6-facet prism rotation, slow to fast
		066 ⇔ 123	6-facet prism reverse rotation, slow to fast
		124 ⇔ 127	6-facet prism
		128 ⇔ 131	No function
		132 ⇔ 134	5-facet prism
		135 ⇔ 193	5-facet prism rotation, slow to fast
		194 ⇔ 251	5-facet prism reverse rotation, slow to fast
252 ⇔ 255	5-facet prism		
7	Focus	000 ⇔ 255	Focus, 0–100%
8	Shutter	000 ⇔ 003	Closed
		004 ⇔ 007	Open
		008 ⇔ 076	Strobe, slow to fast
		077 ⇔ 145	Pulse strobe, slow to fast
		146 ⇔ 215	Random strobe, slow to fast
216 ⇔ 255	Open		
9	Zoom	000 ⇔ 255	Narrow to wide

## Configuration (Standalone)

Set the product in one of the standalone modes to control without a DMX controller.



**Never connect a product that is operating in any standalone mode to a DMX string connected to a DMX controller. Products in standalone mode may transmit DMX signals that could interfere with the DMX signals from the controller.**

### Automatic Programs

To run the Intimidator Spot 375Z IRC in automatic mode, follow the instructions below:

1. Press **<MENU>**.
2. Use **<UP>** or **<DOWN>** to select **Run Mode**.
3. Press **<ENTER>**.
4. Use **<UP>** or **<DOWN>** to select **Auto**.
5. Press **<ENTER>**.

### Sound-Active Mode

To run the Intimidator Spot 375Z IRC in sound-active mode, do the following:

1. Press **<MENU>**.
2. Use **<UP>** or **<DOWN>** to select **Run Mode**.
3. Press **<ENTER>**.
4. Use **<UP>** or **<DOWN>** to select **Sound**.
5. Press **<ENTER>**.

### Sound Sensitivity

To change the sound sensitivity on the Intimidator Spot 375Z IRC, follow the instructions below:

1. Press **<MENU>**.
2. Use **<UP>** or **<DOWN>** to select **Setup**.
3. Press **<ENTER>**.
4. Use **<UP>** or **<DOWN>** to select **Sensitivity**.
5. Press **<ENTER>**.
6. Use **<UP>** or **<DOWN>** to increase or decrease the sound sensitivity, from **001–100**.
7. Press **<ENTER>**.



**The product will only respond to low frequencies of music (bass and drums).**

### Manual Mode

To operate the Intimidator Spot 375Z IRC manually through the menu, do the following:

1. Press **<MENU>**.
2. Use **<UP>** or **<DOWN>** to select **Run Mode**.
3. Press **<ENTER>**.
4. Use **<UP>** or **<DOWN>** to select **Manual**.
5. Press **<ENTER>**.
6. Use **<UP>** or **<DOWN>** to select from **Pan, Tilt, Color, Gobo, Gobo Rotate, Prism, Focus, Zoom, Dimmer, or Shutter**.
7. Press **<ENTER>**.
8. Use **<UP>** or **<DOWN>** to increase or decrease the value of the function, from **000–255**.
9. Press **<ENTER>**.
10. Repeat steps 6-9 until the product is set as desired.

### Configuration (Settings)

#### Pan Reverse

To set the pan orientation on the Intimidator Spot 375Z IRC, follow the instructions below:

1. Press **<MENU>**.
2. Use **<UP>** or **<DOWN>** to select **Setup**.
3. Press **<ENTER>**.
4. Use **<UP>** or **<DOWN>** to select **Pan Reverse**.
5. Press **<ENTER>**.
6. Use **<UP>** or **<DOWN>** to select **OFF** (normal pan orientation) or **ON** (reverse pan orientation).
7. Press **<ENTER>**.

#### Tilt Reverse

To set the tilt orientation on the Intimidator Spot 375Z IRC, do the following:

1. Press **<MENU>**.
2. Use **<UP>** or **<DOWN>** to select **Setup**.
3. Press **<ENTER>**.
4. Use **<UP>** or **<DOWN>** to select **Tilt Reverse**.
5. Press **<ENTER>**.
6. Use **<UP>** or **<DOWN>** to select **OFF** (normal tilt orientation) or **ON** (reverse tilt orientation).
7. Press **<ENTER>**.

#### Screen Reverse

To set the display orientation on the Intimidator Spot 375Z IRC, follow the instructions below:

1. Press **<MENU>**.
2. Use **<UP>** or **<DOWN>** to select **Setup**.
3. Press **<ENTER>**.
4. Use **<UP>** or **<DOWN>** to select **Screen Reverse**.
5. Press **<ENTER>**.
6. Use **<UP>** or **<DOWN>** to select **OFF** (normal display orientation) or **ON** (reverse display orientation).
7. Press **<ENTER>**.

#### Pan Angle

To set the pan angle range on the Intimidator Spot 375Z IRC, do the following:

1. Press **<MENU>**.
2. Use **<UP>** or **<DOWN>** to select **Setup**.
3. Press **<ENTER>**.
4. Use **<UP>** or **<DOWN>** to select **Pan Angle**.
5. Press **<ENTER>**.
6. Use **<UP>** or **<DOWN>** to select from **540** (540°), **360** (360°), or **180** (180°).
7. Press **<ENTER>**.

#### Tilt Angle

To set the tilt angle range on the Intimidator Spot 375Z IRC, follow the instructions below:

1. Press **<MENU>**.
2. Use **<UP>** or **<DOWN>** to select **Setup**.
3. Press **<ENTER>**.
4. Use **<UP>** or **<DOWN>** to select **Tilt Angle**.
5. Press **<ENTER>**.
6. Use **<UP>** or **<DOWN>** to select from **270** (270°), **180** (180°), or **90** (90°).
7. Press **<ENTER>**.

## Totem Mode

To activate the Totem mode, do the following:

1. Press **<MENU>**.
2. Use **<UP>** or **<DOWN>** to select **Setup**.
3. Press **<ENTER>**.
4. Use **<UP>** or **<DOWN>** to select **Totem Mode**.
5. Press **<ENTER>**.
6. Use **<UP>** or **<DOWN>** to select **OFF** (normal range of motion), **UP** (upward tilt range), or **DOWN** (downward tilt range).
7. Press **<ENTER>**.

## Reset

To reset all functions on the Intimidator Spot 375Z IRC, do the following:

1. Press **<MENU>**.
2. Use **<UP>** or **<DOWN>** to select **Setup**.
3. Press **<ENTER>**.
4. Use **<UP>** or **<DOWN>** to select **Reset**.
5. Press **<ENTER>**.

## Factory Reset

To restore the Intimidator Spot 375Z IRC to factory default settings, follow the instructions below:

1. Press **<MENU>**.
2. Use **<UP>** or **<DOWN>** to select **Setup**.
3. Press **<ENTER>**.
4. Use **<UP>** or **<DOWN>** to select **Factory Set**.
5. Press **<ENTER>**.

## System Information

To view the system information on the Intimidator Spot 375Z IRC, do the following:

1. Press **<MENU>**.
2. Use **<UP>** or **<DOWN>** to select **Sys Info**.
3. Press **<ENTER>**.

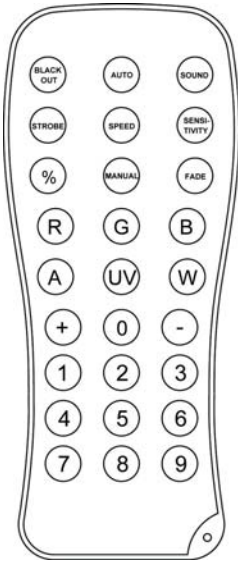


## IRC-6 Infrared Remote Control

The Intimidator Spot 375Z IRC is compatible with the IRC-6 infrared remote control from Chauvet. To set the Intimidator Spot 375Z IRC to IR mode, follow the instructions below:

1. Press **<MENU>**.
2. Use **<UP>** or **<DOWN>** to select **Run Mode**.
3. Press **<ENTER>**.
4. Press **<UP>** or **<DOWN>** to select **IR**.
5. Press **<ENTER>**.

## IRC-6 Operation



The list below describes which features each button controls:

- **<BLACKOUT>** - Keeps shutter closed.
- **<AUTO>** - Activates Auto mode. Use **<+>**, **<->**, or **<0>**–**<9>** to select an auto program.
- **<SOUND>** - Activates Sound mode.
- **<STROBE>** - Activates Strobe control. Use **<+>** or **<->** to increase or decrease the strobe speed from **00** (off) to **20**
- **<SPEED>** - Sets Pan/Tilt Speed. Use **<+>** or **<->** to increase or decrease the pan/tilt speed from **000** (fastest) to **255** (slowest)
- **<SENSITIVITY>** - Sets Sound Sensitivity. Use **<+>** or **<->** to increase or decrease the sensitivity from **001** (lowest) to **100** (highest)
- **<%>** - Sets Dimmer value. Use **<+>** or **<->** to widen or narrow the shutter.
- **<MANUAL>** - Cycles through static gobos.
- **<FADE>** - Cycles through static colors.
- **<R>** - Sets color wheel rotation speed. Use **<+>** or **<->** to increase or decrease the speed from **000** (slowest) to **100** (fastest). Press **<R>** to toggle direction.
- **<G>** - Sets gobo wheel rotation speed. Use **<+>** or **<->** to increase or decrease the speed from **000** (slowest) to **100** (fastest). Press **<G>** to toggle direction.
- **<B>** - Activates Auto Color/Gobo mode.
- **<A>** - Sets manual Pan/Tilt values. Press **<A>** to toggle between pan and tilt. Use **<+>** or **<->** to increase or decrease the pan/tilt value, from **000–255**.
- **<UV>/<P>** - sets manual Zoom and Focus values. Press **<UV>/<P>** to toggle between zoom and focus. Use **<+>** or **<->** to increase or decrease the zoom/focus value, from **000–255**.
- **<W>** - Sets manual Prism values. Use **<+>** or **<->** to increase or decrease the prism value, from **000–255**.
- **<+>** - Increases a value when in a function.
- **<->** - Decreases a value when in a function.
- **<0>**–**<9>** - Selects Auto programs 0–9.

## Master/Slave Mode

The Master/Slave mode allows a single Intimidator Spot 375Z IRC product (the “master”) to control the actions of one or more Intimidator Spot 375Z IRC products (the “slaves”) without the need of a DMX controller. The master product will be set to operate in either Stand-Alone mode or with the IRC-6, while the slave products will be set to operate in Slave mode. Once set and connected, the slave products will operate in unison with the master product.

Configure the products as indicated below.

### Slave products:

1. Press **<MENU>**.
2. Use **<UP>** or **<DOWN>** to select **Run Mode**.
3. Press **<ENTER>**.
4. Use **<UP>** or **<DOWN>** to select **Slave**.
5. Press **<ENTER>**.
6. Use **<UP>** or **<DOWN>** to select from **Slave1, Slave2, Slave3, or Slave4**.
  - Select **Slave1** for 100% synchronized actions.
  - Select **Slave2, Slave3, or Slave4** for a delayed show, creating a wave effect.
7. Connect the DMX input of the first slave product to the DMX output of the master product.
8. Connect the DMX input of the subsequent slave products to the DMX output of the previous slave product.
9. Finish setting and connecting all the slave products.

### Master product:

1. Set the master product to operate in Stand-Alone mode or with the IRC-6.
2. Make the master product the first product in the DMX daisy chain.
  - **Configure all the slave products before connecting the master to the daisy chain.**
  - **Never connect a DMX controller to a DMX string configured for Master/Slave operation because the controller may interfere with the signals from the master.**
  - **Do not connect more than 31 slaves to the master.**



## Zero Adjust Mode

The Intimidator Spot 375Z IRC contains a passcode protected mode which allows the user to calibrate and adjust several of the product’s operating parameters.

In order to access this mode, do the following:

1. Press and hold **<MENU>** for at least 3 seconds.
2. Use **<UP>** (increases the selected value) and **<DOWN>** (selects the next value) to enter the passcode: **2323**.
3. Press **<ENTER>**.

In this mode, the starting positions for the following can be adjusted:

Parameter	Default	Function
<b>PAN</b>	<b>128</b>	Pan motor
<b>TILT</b>	<b>128</b>	Tilt motor
<b>COLOR</b>	<b>128</b>	Color wheel
<b>GOBO</b>	<b>149</b>	Gobo wheel
<b>GOBO ROTATE</b>	<b>128</b>	Gobo rotation
<b>PRISM</b>	<b>134</b>	Prism assembly
<b>PRISM1</b>	<b>114</b>	Prism rotation
<b>FOCUS</b>	<b>063</b>	Focus assembly
<b>ZOOM</b>	<b>128</b>	Frost assembly
<b>DIMMER</b>	<b>128</b>	Shutter assembly

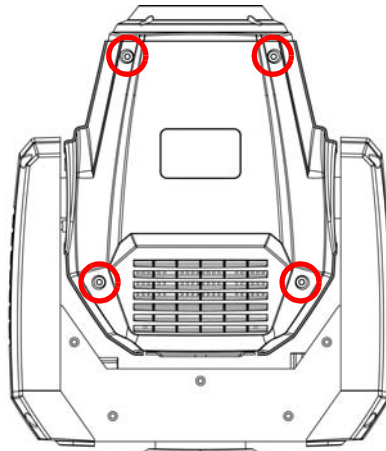
To adjust the starting position of one of these parameters, follow the instructions below:

1. Access the Zero Adjust mode.
2. Use **<UP>** or **<DOWN>** to select the parameter to be adjusted.
3. Press **<ENTER>**.
4. Use **<UP>** or **<DOWN>** to increase or decrease the selected value, from **000–255**.
5. Press **<ENTER>**.

## Changing Gobos

To change the gobos in the Intimidator Spot 375Z IRC, do the following:

1. Turn off and disconnect the product from power.
2. Place the product on a flat, level surface with the front facing up.

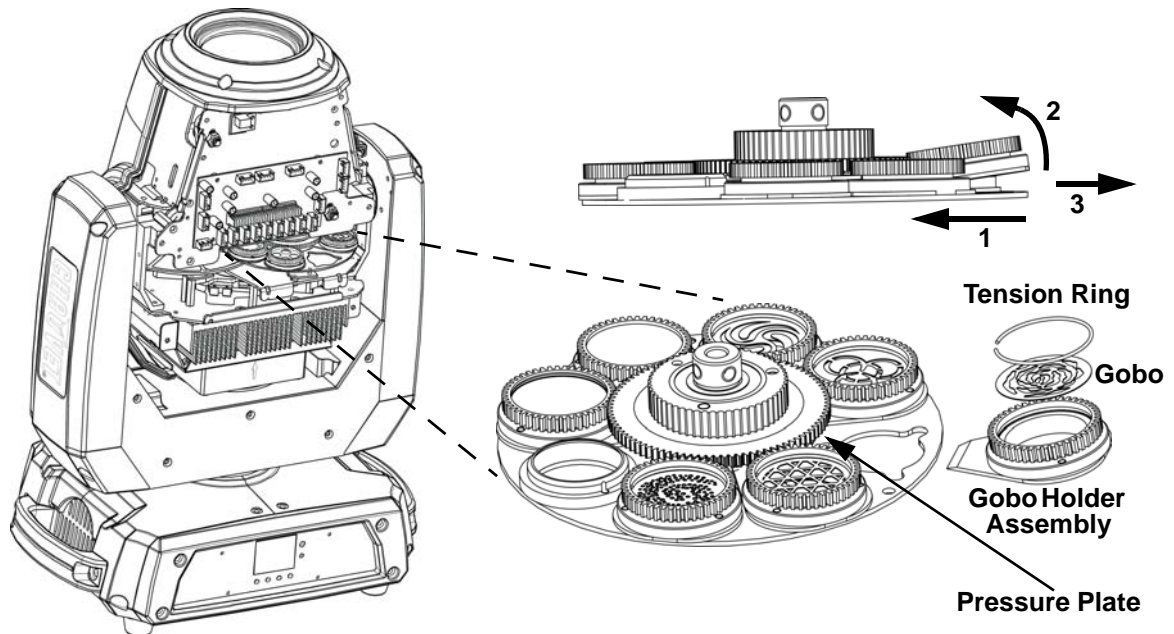


3. Remove 4 screws with a Phillips-head screwdriver to remove the cover.



**NOTE: If the gobo wheel is not accessible, the wrong cover was removed. Replace the cover immediately and remove the cover on the opposite side of the Intimidator Spot 375Z IRC.**

4. Rotate the gobo wheel until the gobo that needs replacing is accessible.



5. Separate the gobo holder assembly from the gobo wheel by pushing it forward and up. Be careful not to push the gobo out of the gobo plate.
6. Extract the gobo holder by pulling it backwards out of the product.
7. On a flat surface, remove the tension ring that holds the gobo in place and remove the gobo from the gobo plate.
8. Insert a new gobo and secure it in place with the tension ring.
9. To reinsert the gobo holder, slide the tip of the gobo holder under the pressure plate near the center of the gobo wheel.
10. Push the gobo holder assembly inwards. DO NOT force the gobo holder into the gobo wheel slot. Move the holder slightly from the side to side if needed to get it to sit properly. If correctly installed, the bottom of the holder will be flush with the gobo wheel.
11. Replace the cover of the Intimidator Spot 375Z IRC and secure with the 4 screws.

## 5. Maintenance

### Product Maintenance

Dust build-up reduces light output performance and can cause overheating. This can lead to reduction of the light source's life and/or mechanical wear. To maintain optimum performance and minimize wear, clean your lighting products at least twice a month. However, be aware that usage and environmental conditions could be contributing factors to increase the cleaning frequency.

To clean the product, follow the instructions below:

1. Unplug the product from power.
2. Wait until the product is at room temperature.
3. Use a vacuum (or dry compressed air) and a soft brush to remove dust collected on the external surface/vents.
4. Clean all transparent surfaces with a mild soap solution, ammonia-free glass cleaner, or isopropyl alcohol.
5. Apply the solution directly to a soft, lint free cotton cloth or a lens cleaning tissue.
6. Softly drag any dirt or grime to the outside of the transparent surface.
7. Gently polish the transparent surfaces until they are free of haze and lint.



**Always dry the transparent surfaces carefully after cleaning them.**



**Do not spin the cooling fans using compressed air because they could be damaged.**

## 6. Technical Specifications

### Dimensions and Weight

Length	Width	Height	Weight
8.6 in (220 mm)	12.7 in (322 mm)	18.3 in (466 mm)	27.2 lb (12.4 kg)

**Note:** Dimensions in inches rounded to the nearest decimal digit.

### Power

Power Supply Type	Range	Voltage Selection
Switching (internal)	100 to 240 VAC, 50/60 Hz	Auto-ranging

Parameter	120 V, 60 Hz	230 V, 50 Hz
Consumption	277 W	268 W
Operating Current	2.5 A	1.3 A
Power linking current (products)	8 A (3 products)	8 A (5 products)
Fuse	F 5 A, 250 V	F 5 A, 250 V

Power I/O	U.S./Worldwide	UK/Europe
Power input connector	powerCON®-compatible	powerCON®-compatible
Power output connector	powerCON®-compatible	powerCON®-compatible
Power Cord plug	Edison (U.S.)	Local Plug

### Light Source

Type	Color	Quantity	Power	Current	Lifespan
LED	White	1	150 W	12.3 A	50,000 hours

### Photometrics

Strobe Rate	Zoom Angle	Illuminance @ 2 m (10°)	Illuminance @ 2 m (23°)
0 to 20 Hz	10° to 23°	38,000 lux	19,850 lux

### Thermal

Maximum External Temperature	Cooling System
104 °F (40 °C)	Fan-assisted convection

### DMX

I/O Connector	Channel Range
3-pin XLR	9 or 15

### Ordering

Product Name	Item Code	UPC Number
Intimidator Spot 375Z IRC (black)	08011291	781462216399
Intimidator Spot 375Z IRC (white)	08011418	781462217662



UL 1573  
CSA C22.2 No. 166  
E113093



RoHS



## Returns

In case you need to get support or return a product:

- If you are located in the U.S., contact Chauvet World Headquarters.
- If you are located in the UK or Ireland, contact Chauvet Europe Ltd.
- If you are located in Mexico, contact Chauvet Mexico.
- If you are located in Benelux, contact Chauvet Europe BVBA.
- If you are located in any other country, DO NOT contact Chauvet. Instead, contact your local distributor. See [www.chauvetdj.com](http://www.chauvetdj.com) for distributors outside the U.S., UK, Ireland, Mexico, or Benelux.



**If you are located outside the U.S., UK, Ireland, Mexico, or Benelux, contact your distributor of record and follow their instructions on how to return Chauvet products to them. Visit our website [www.chauvetdj.com](http://www.chauvetdj.com) for contact details.**

Call the corresponding Chauvet Technical Support office and request a Return Merchandise Authorization (RMA) number before shipping the product. Be prepared to provide the model number, serial number, and a brief description of the cause for the return.

To submit a service request online, go to [www.chauvetdj.com/service-request](http://www.chauvetdj.com/service-request).

Send the merchandise prepaid, in its original box, and with its original packing and accessories. Chauvet will not issue call tags.

Clearly label the package with the RMA number. Chauvet will refuse any product returned without an RMA number.



**Write the RMA number on a properly affixed label. DO NOT write the RMA number directly on the box.**

Before sending the product, clearly write the following information on a piece of paper and place it inside the box:

- Your name
- Your address
- Your phone number
- RMA number
- A brief description of the problem

Be sure to pack the product properly. Any shipping damage resulting from inadequate packaging will be your responsibility. FedEx packing or double-boxing are recommended.



**Chauvet reserves the right to use its own discretion to repair or replace returned product(s).**

## Contact Us

World Headquarters	
General Information	Technical Support
Address: 5200 NW 108th Ave. Sunrise, FL 33351 Voice: (954) 577-4455 Fax: (954) 929-5560 Toll Free: (800) 762-1084	Voice: (844) 393-7575 Fax: (954) 756-8015 Email: <a href="mailto:chauvetcs@chauvetlighting.com">chauvetcs@chauvetlighting.com</a>
	<b>Website</b> <a href="http://www.chauvetdj.com">www.chauvetdj.com</a>
EUROPE	
General Information	Technical Support
Address: Stokstraat 18 9770 Kruishoutem Belgium Voice: +32 9 388 93 97	Email: <a href="mailto:eutech@chauvetlighting.eu">eutech@chauvetlighting.eu</a>
	<b>Website</b> <a href="http://www.chauvetdj.eu">www.chauvetdj.eu</a>
General Information	Technical Support
Address: Unit 1C Brookhill Road Industrial Estate Pinxton, Nottingham, UK NG16 6NT Voice: +44 (0) 1773 511115 Fax: +44 (0) 1773 511110	Email: <a href="mailto:uktech@chauvetlighting.com">uktech@chauvetlighting.com</a>
	<b>Website</b> <a href="http://www.chauvetdj.eu">www.chauvetdj.eu</a>
MEXICO	
General Information	Technical Support
Address: Av. de las Partidas 34 - 3B (Entrance by Calle 2) Zona Industrial Lerma Lerma, Edo. de México, CP 52000 Voice: +52 (728) 690-2010	Email: <a href="mailto:servicio@chauvet.com.mx">servicio@chauvet.com.mx</a>
	<b>Website</b> <a href="http://www.chauvetdj.mx">www.chauvetdj.mx</a>

Outside the U.S., United Kingdom, Ireland, Mexico or Benelux, contact the dealer of record. Follow the instructions to request support or to return a product. Visit our website for contact details.